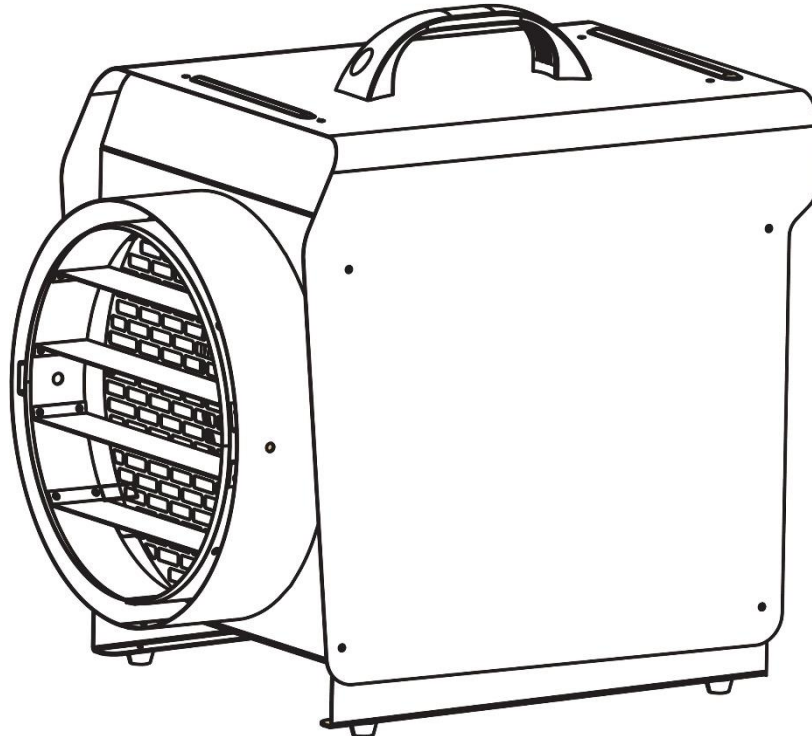


Electric Heater with Hose Connection **WDH-BGP031S (3 kW)**



Dear Customer,

You have chosen a high-quality product. To ensure that you get a lot of enjoyment from this product, here are a few more tips:

Information relevant to energy consumption:

This product is only suitable for well-insulated rooms or for occasional use.

In case of any problems:

We hope that the unit meets your expectations! If, despite the greatest possible care, there should ever be cause for complaint, please contact us briefly, as we are very concerned about your satisfaction and would like to clear up any misunderstanding.

During the first operation:

As the heating elements are covered with a light film of oil at the factory for reasons of protection, you will notice a slight smell of burning and possibly also some smoke during the first operation. This is quite normal at first and is caused by the fact that the oil film is now burnt by the heating elements during operation.

Important safety instructions:

- The heater is not suitable for use outdoors or in other wet or damp environments !
- Please note that the heater can become very hot during operation, so keep a sufficient distance from flammable or easily combustible objects at all times !
- Do not place the heater directly next to a power socket !
- Do not use a timer or automatic on/off switch in conjunction with this heater !
- Never use the heater on moving surfaces, objects or vehicles ! There is a risk that the heater may tip over.
- It is recommended to use a separate power source (socket) only for the supply of the heater. (Please do not use multiple sockets to operate the heater).
Furthermore, please ensure that the power cable is always laid with sufficient distance to the heat source.
- Supervise the heater when children are near the appliance !
- Watch out for electricity, never walk into or insert objects into the appliance !
- Do not place any objects on the heater !
- Do not block the supply and/or exhaust air of the unit and please ensure sufficient space/clearance around the unit !
- Ensure that there is sufficient air supply to the unit, otherwise it can lead to a reduction in performance and, in the worst case, to overheating and/or fire !
- Only qualified personnel or electricians are allowed to open the unit !
- Make sure that no moisture gets into or onto the unit !
- Only use the recommended voltage for operating the unit !
- Make sure that the power cable is unfolded (untied) before connecting it to the socket !
- Make sure that the plug is cleanly and properly connected to the socket before using the appliance !
- Never reach near the plug or socket with wet hands !
- Do not repair defective or damaged cables on the unit yourself, you could get a severe electric shock !
- Make sure that highly flammable substances (e.g. gases/oils etc.) are never in the vicinity of the unit !
- If the connecting cable of this appliance is damaged, it must be replaced by the manufacturer or its after-sales service or a similarly qualified person in order to avoid hazards.
- This appliance is not intended to be used by persons (including children) with reduced physical, sensory or mental capabilities, or lack of experience and/or knowledge, unless they have been given supervision or instruction concerning use of the appliance by a person responsible for their safety.
- If you are not going to use the unit for a long time, switch it off and disconnect the mains plug !

Please switch off the unit immediately and disconnect it from the power supply if anything seems to be wrong! In this case, please contact a specialist and do not try to repair the unit yourself!

Examples: Fan does not run during operation or fuse has blown.

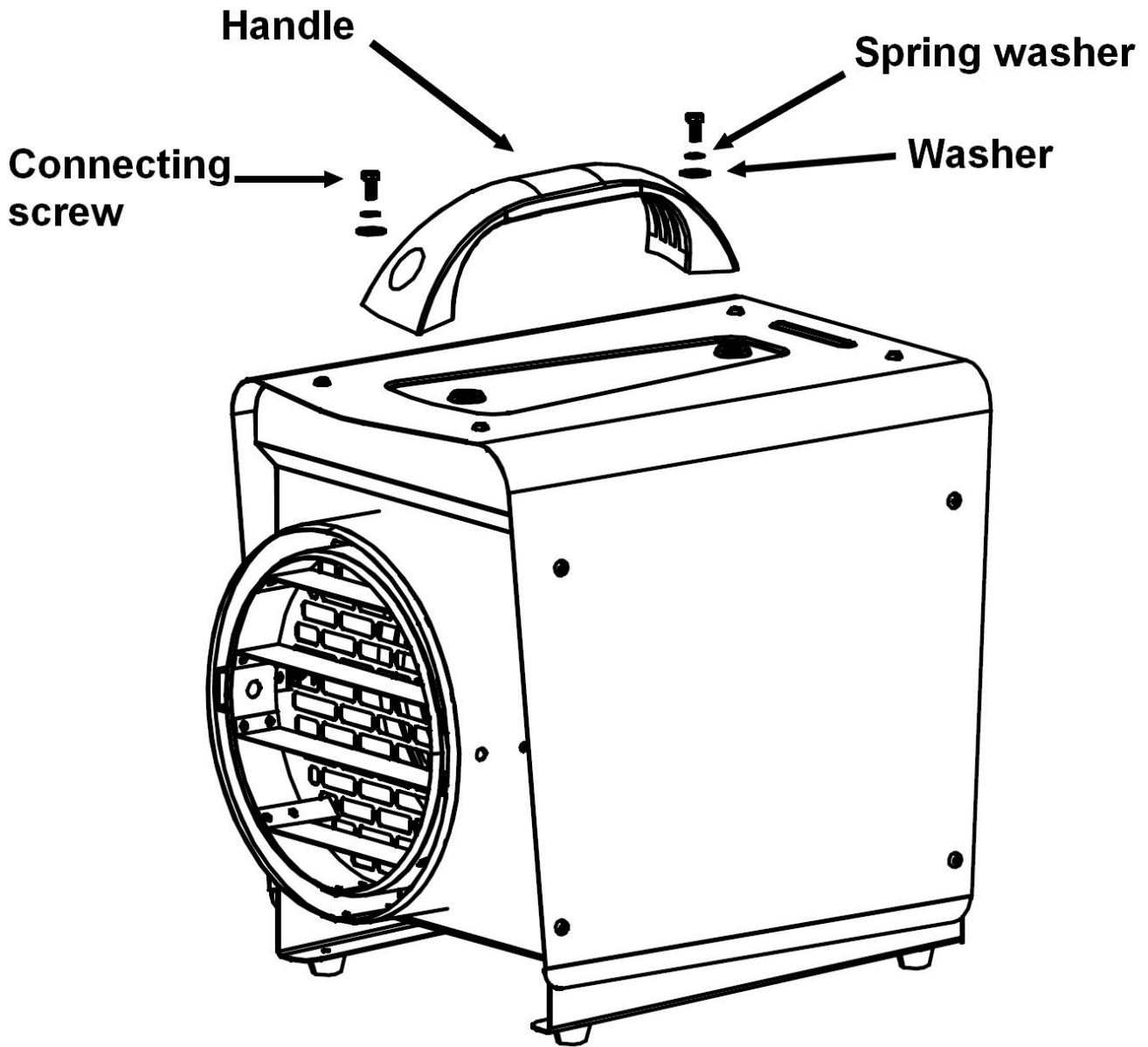
Mounting the carrying handle:

To reduce the volume, the carrying handle is dismantled on a new unit.

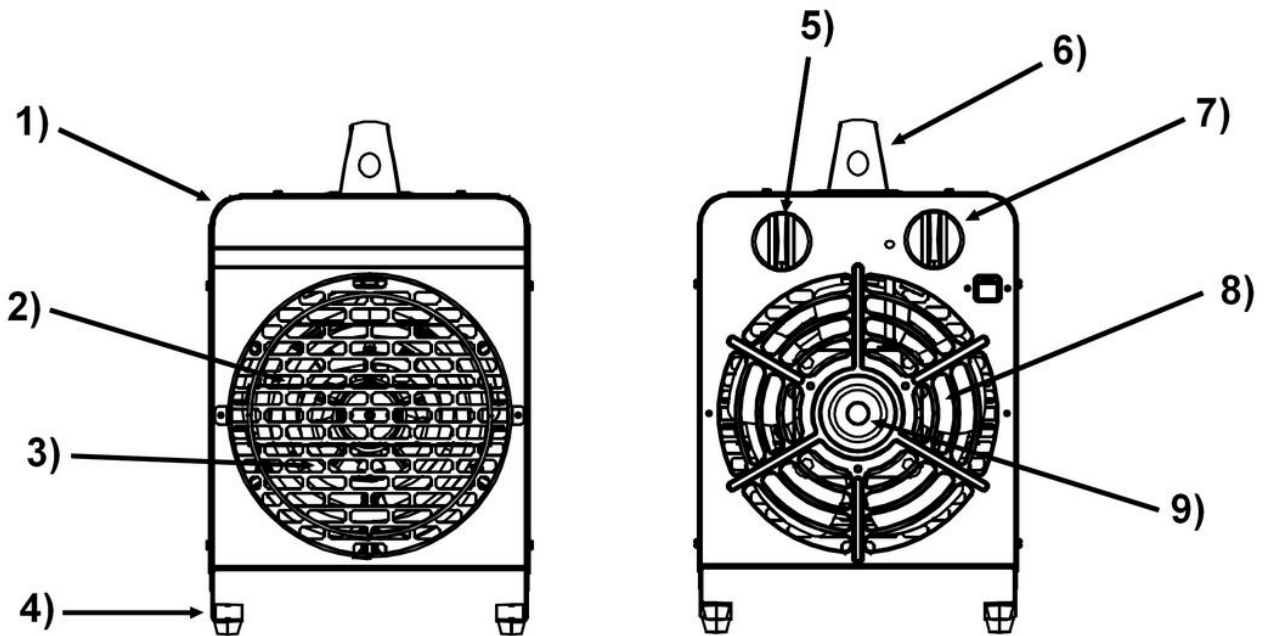
The following accessories are included for the transport handle assembly:

1. 1 x Carrying handle
2. 2 x Connecting screw
3. 2 x Spring washer
4. 2 x Washer

Take the carrying handle and fit it over the upper screw holes on your fan heater. Now put the spring washer over each connecting screw. Then put the washer over the connecting screw. Now insert the screw from above through the carrying handle into the connecting holes provided. Now tighten both connecting screws properly. Done!



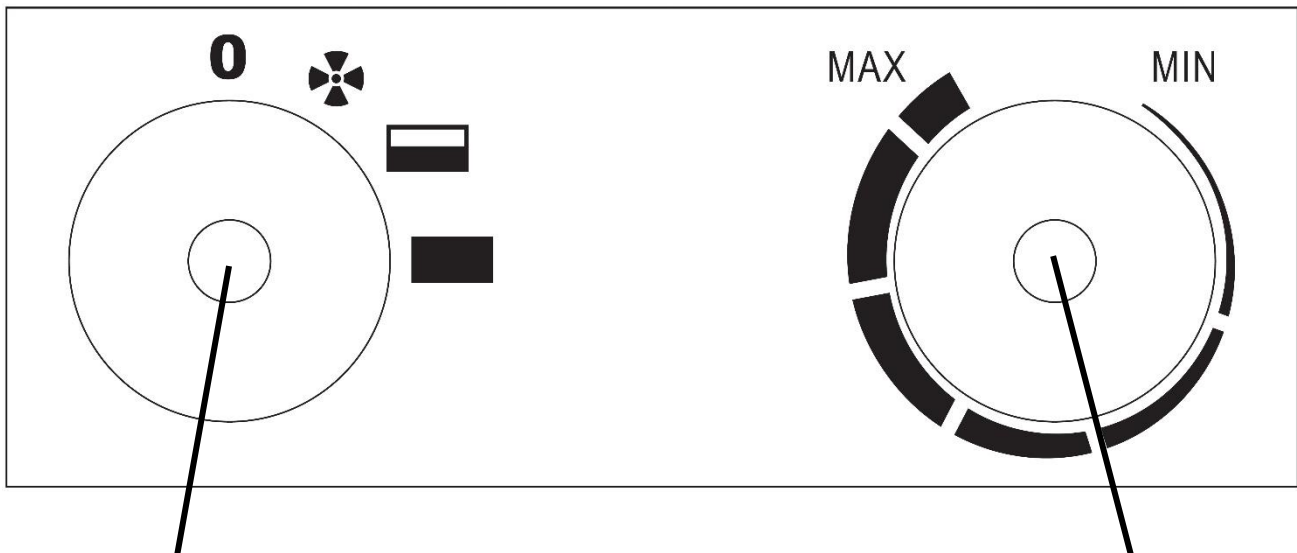
Device description:



- 1.) Housing knob
- 2.) Air outlet (exhaust air)
- 3.) Heating coil (internal)
- 4.) Stand feet

- 5.) Operating strength adjustment
- 6.) Carrying handle
- 7.) Thermostat rotary control
- 8.) Air intake
- 9.) Fan with motor (internal)

Description of the control panel:



1. Operating strength adjustment knob

2. Thermostat control dial

Instructions for use:

1. Commissioning

1.1. Insert the mains plug properly into the socket.

1.2. Select the desired unit power with the operating power adjustment knob (left-hand knob).

0 = Off



= Fan operation (cold blower)



= Heating mode (operating strength with 1,500 W heating power)



= Heating mode (operating strength with 3,000 W heating power)

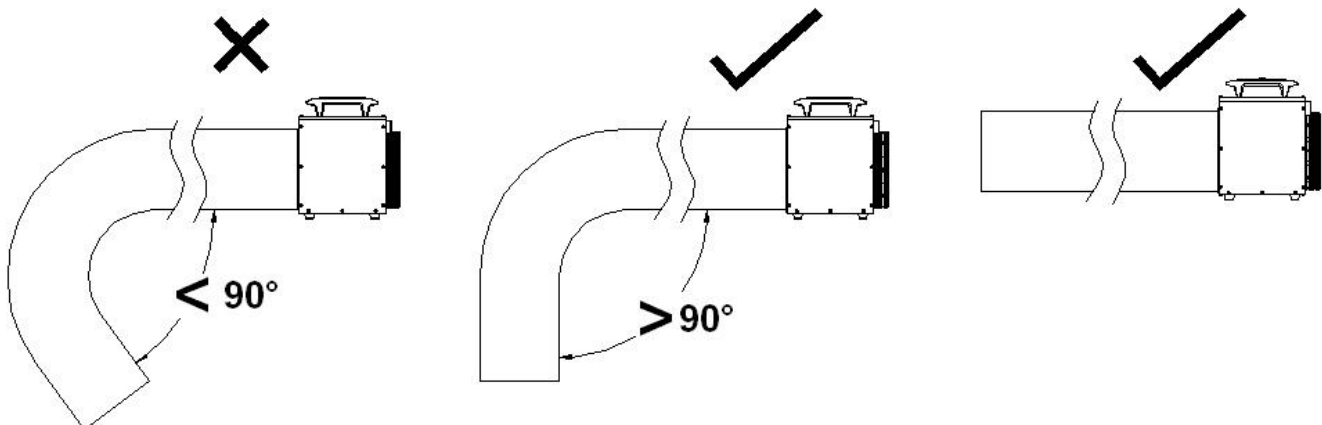
1.3. Now set the desired temperature switch-off point (0 ~ 40°C) with the thermostat control dial (right-hand knob). This is best done as follows: Turn the thermostat knob to the highest temperature (Max.) and let the heater run until your desired temperature value is reached. Now turn (adjust) the control downwards towards the minimum until the heating function switches off automatically. Now leave the control dial (thermostat) in this position and whenever it gets colder in the room, the unit will automatically start heating and when the adjusted temperature is reached again, the heating element will automatically switch off again !!!

1.4. The fan heater is not equipped with a so-called cooling after-run, i.e. the unit does not have a cooling after-run. It is therefore important that you let the unit run in fan-only mode for approx. 3-4 minutes after the end of operation. This is the only way to ensure that your unit will not be damaged due to overheating!

2. Hose connection / hose discharge

2.1. If you want to operate the fan heater with a hose, make sure that it is heat-resistant and has a diameter of at least 200 mm. In addition, we recommend a maximum hose length of 7 metres.

2.2. When routing the hose, make sure that the hose is not bent/angled too much so that no air/heat build-up can occur. See the following diagram !



3. Cleaning & Storage

Always unplug the heater from the mains and allow it to cool down completely before cleaning it !

3.1. Cleaning the housing:

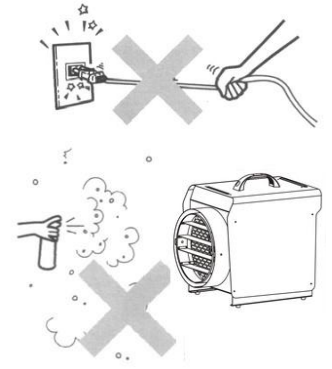
- Use a soft and damp cloth to clean the outside of the housing.
- Use only mild cleaning agents to clean your heater, aggressive cleaning agents could damage your appliance !
- Please make sure that no water gets inside your heater at any time !

3.2. Storage:

- We recommend that you repack the unit in its original box for storage.
- Store the heater in a dry and sufficiently ventilated place/space.

4. Other operating instructions

- 4.1. Do not disconnect the mains plug by pulling on the power cable !
- 4.2. Do not use insect repellent, oil spray, paint spray, etc. near the heater. This may cause damage to the unit or even fire !
- 4.3. Do not place the appliance on sloping or uneven ground !
- 4.4. Please always keep a sufficient distance to the wall to avoid possible overheating of the appliance.
- 4.5. For an effective and economical heating operation, please close all doors and windows in the room of the heater !



Technical data

Model designation:	WDH-BGP031S (3kW)
Voltage:	220 - 240V ~ 50Hz
Max. Power consumption:	3,000 W (13.6 A)
Power settings:	3 (1 = 40 W, 2 = 1,500 W, 3 = 3,000W)
Thermostat:	Stepless adjustment (0 ~ 40 °C)
Air flow rate:	Approx. 348 m ³ /h
Nominal heat output:	3.0 kW
Minimum heat output:	1.5 kW
Max. cont. Heat output:	3.0 kW
Auxiliary power consumption elmax:	N/A
Auxiliary power consumption elmin:	N/A
Auxiliary power consumption elSB:	N/A
Type of temperature control:	Mechanical thermostat
Waterproofness:	IP24
Dimension (H/W/D):	310 x 210 x 340 mm
Weight:	4.9 kg

There may be deviations in the technical data !

Troubleshooting

The fan heater only provides "lukewarm" performance

The outlet temperature depends on the inlet temperature. As a rule, this is approx. 15-20°C above the inlet temperature and the room is heated by the fact that the room air is constantly circulated, as with a normal radiator, and the associated repeated heating (heating progression).

If you use the electric heater in a very cold room, e.g. in a garage with 5°C or even colder, it would be normal if the outlet temperature is only "lukewarm", because the electric heater cannot heat this air to "hot" in the short time in which the air passes the heating rods. This would only be achievable with a switched-off fan, but the air would then firstly not be distributed evenly in the room and secondly the unit would lose a lot of its overall heating effectiveness.

Our devices are regularly tested for quality and effectiveness and cannot be compared with conventional bath heaters, which only have a thin heating wire and usually no integrated fan.

Other

Warranty statement:

Notwithstanding the statutory warranty claims, the manufacturer grants a warranty in accordance with the laws of your country, but at least 1 year (in Germany 2 years for private individuals). The warranty begins on the date of sale of the appliance to the end user.

The warranty only covers defects that are due to material or manufacturing faults.
are.

Warranty repairs may only be carried out by an authorised customer service. To
To make your warranty claim, please enclose the original sales receipt (with date of sale).
Excluded from the guarantee are:

- Normal wear
- Improper applications, such as overloading the appliance or non-approved accessories.
- Damage due to external influences, use of force or foreign objects
- Damage caused by non-observance of the operating instructions, e.g. connection to the wrong mains voltage or non-observance of the installation instructions.
- Completely or partially dismantled units

Conformity:

The E-Heater has been tested and itself and/or parts thereof have been manufactured under the following (safety) standards:

Tested by TÜV Rheinland "GS" and of course with CE (LVD + EMC) conformity.

Tested safety according to: EN 62233:2008
EN 60335-2-30:2009+A11
EN 60335-1:2012+A11
AfPS GS 2014:01 Par 3.1

CE (LVD) Conformity tested according to: EN 60335-2-30:2009+A11
EN 60335-1:2012+A11
EN 62233:2008

CE (EMC) conformity tested according to: EN 55014-1:2006+A1+A2
EN 55014-2:2015
EN 61000-3-2:2014
EN 61000-3-3:2013

Correct disposal of this product:

Within the EU, this symbol indicates that this product should not be disposed of with household waste. Waste equipment contains valuable recyclable materials that should be recycled and not harm the environment or human health through uncontrolled waste disposal. Therefore, please dispose of old appliances via suitable collection systems or send the appliance for disposal to the place where you purchased it. They will then recycle the appliance.



I wish you much pleasure with this appliance.

Your Aktobis AG

Keep these instructions for use in a safe place !

Notes:
